



"innovation in its most functional form"

PRODUCT DATA SHEET

SG4™ SECURE-GRIP MECHANICAL FLANGE SPREADER

SPREADING FORCE:
35ft/lbs (47Nm) = 3.7 T (37 kN) per tool
It is recommended that tools are used in pairs giving
 $2 \times 3.7 = 7.4 \text{ T (74 kN)}$

SPREADING DISTANCE = 0-75mm (0-2.95")
TOOL WEIGHT = 4.5kg (10 lbs)

KIT COMPONENTS

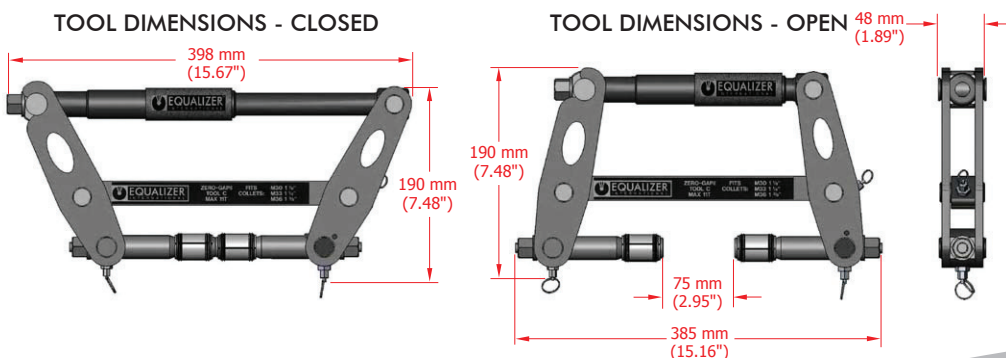
- 1 x SG4™ Tool
 - 1 x 150mm (6") Vernier Calliper
 - 1 x 3/8" Drive Torque Wrench and 16mm Socket
 - 1 x Safety Block
 - 2 x M16 (5/8") Collets
 - 2 x M20 (3/4") Collets
 - 1 x Instruction Manual
 - 1 x Carry Case with protective foam inserts
- Product Code: SG4™MSTD



WEIGHTS AND DIMENSIONS

Tool Weight = 4.8 kg (10.6 lbs)
Case Weight = 1 kg (2.2 lbs)
Gross Kit Weight = 12.8 kg (28.2 lbs)

Carry Case Dimensions:
520 x 375 x 165mm (20.47" x 14.76" x 6.50")



info@equalizerinternational.com
www.equalizerinternational.com

RANGE OF APPLICATION

The SG4TM is usable on all standard flanges that have been specified to accept the following bolt sizes:

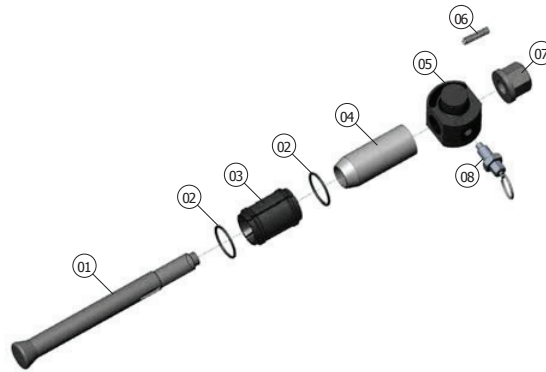
M16, M20, 5/8", 3/4"

This includes ANSI, DIN, SPO, ASME, API and BS flanges.

For a detailed range of application please request the Secure-Grip Mechanical Operator Instruction Manual.

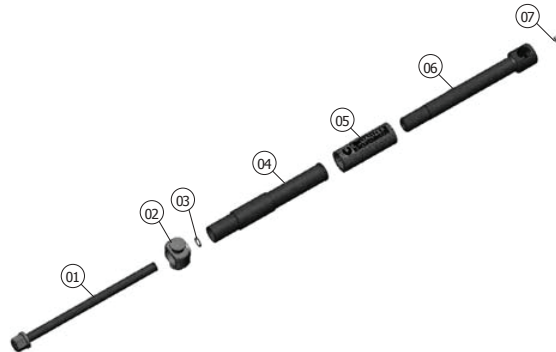
COLLET HEAD PARTS LIST AND EXPLODED DRAWING

ITEM	PART No.	DESCRIPTION	QUANTITY
01	610401-01	COLLET HOLDER	02 each
02	611001-01	M16 SPRING RING*	04 each
	611101-01	M20 SPRING RING*	04 each
03	610201-01	M16 COLLET*	02 each
	610301-01	M20 COLLET*	02 each
04	610501-01	DRIVE CONE	02 each
05	610601-01	COLLET UNION	02 each
06	610701-01	CENTRING SPRING 1	02 each
07	610801-01	COLLET NUT	02 each
08	900502-01	COLLET SPRING PLUNGER*	02 each



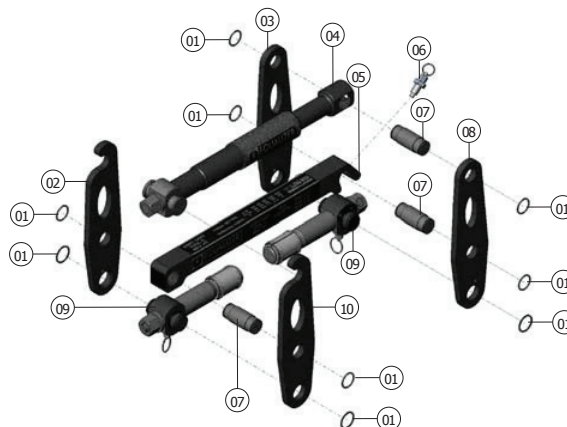
ACTUATOR PARTS LIST AND EXPLODED DRAWING

ITEM	PART No.	DESCRIPTION	QUANTITY
01	612201-01	ACTUATOR BOLT	01 each
02	612501-01	OPEN ACTUATOR UNION	01 each
03	401301-01	ACTUATOR RETAINING RING*	01 each
04	612701-01	ACTUATOR SLEEVE	01 each
05	612801-01	FOAM GRIP	01 each
06	612901-01	CLOSED ACTUATOR UNION	01 each
07	613001-01	ACTUATOR RETAINING BOLT	01 each



SG4TM PARTS LIST AND EXPLODED DRAWING

ITEM	PART No.	DESCRIPTION	QUANTITY
01	611501-01	CANTILEVER RETAINING RING*	10 each
02	611401-01	OPEN LEG R/H	01 each
03	611801-01	CLOSED LEG R/H	01 each
04		SEE ACTUATOR PARTS LIST	
05	612101-01	CANTILEVER	01 each
06	612001-01	CANTILEVER PLUNGER	01 each
07	611701-01	CANTILEVER PIN	03 each
08	611901-01	CLOSED LEG L/H	01 each
09		SEE COLLET HEAD PARTS LIST	
10	611301-01	OPEN LEG L/H	01 each



* Items are supplied in Spares Kit Part No: 616060-01